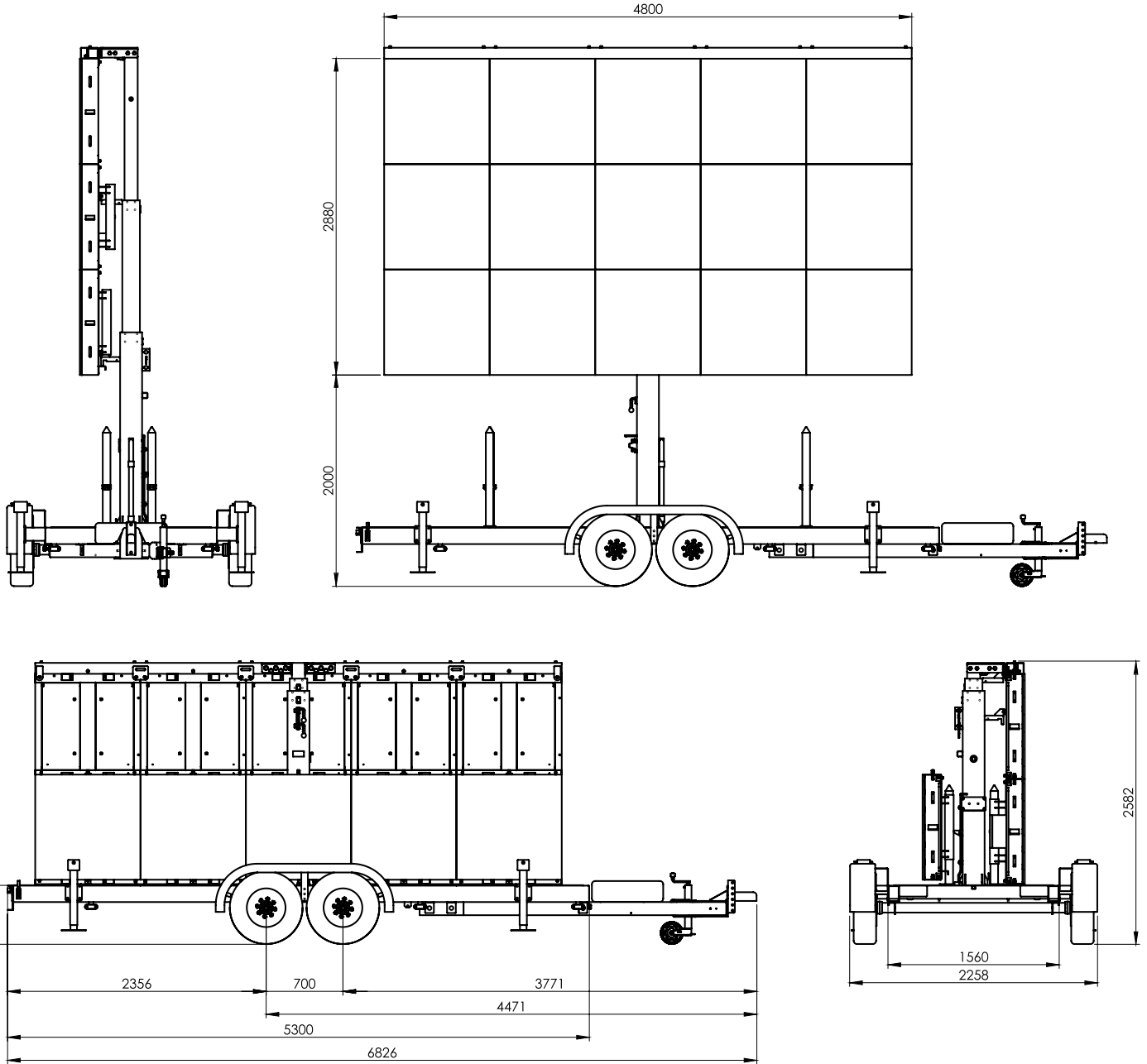


# TRAILER SPECIFICATION

## SimpLED



### DIMENSIONS FOR TRANSPORT

Lenght with drawbar	6826 mm
Lenght without drawbar	5300 mm
Width	2258 mm
Height	2582 mm

### DIMENSIONS WITH UNFOLDED SCREEN

Width	2258 mm
Lenght	6826 mm
Height to top of the screen	4980 mm
Height to bottom of the screen	2000 mm

### WEIGHT

GVWR weight	3000 kg
Real weight with the screen	< 3000 kg

### HYDRAULIC SYSTEM

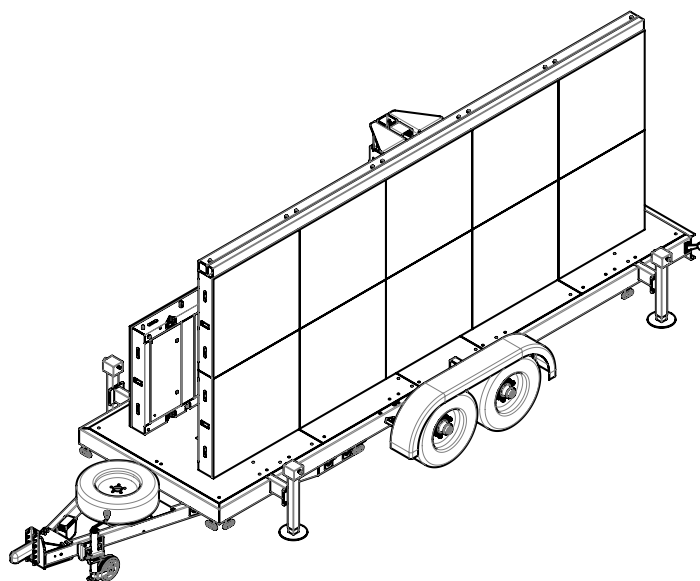
Motor power	2 kW (12V)
Power supply	Battery 12V 35Ah (for additional fee)
Flow rate	6 - 12 dm <sup>3</sup> /min
Nominal pressure	< 18 MPa
Oil type	HL46 or HL32 (for lower temperatures)
Oil quantity	≈ 11 dm <sup>3</sup>

### POWER

Power socket	400V 32A
Power generator	✗
Screen turned on Max. power consumption	11,10 kW
Screen turned on Avg. power consumption	3,6 kW
Other equipment Power consumption (Video controller)	max. 0,3 kW

### LED SCREEN DETAILS

Area	13.82 m <sup>2</sup>
Width	4.8 m
Height	2.88 m
Screen provider	Longrun
Pixel Pitch	P4
Resolution	HD 720p (1200 x 720 px)
Brightness	5500-6000 nits
Refresh rate	1920 Hz
Diodes lifespan	≥100000 hours
Video controller	Novastar MCTRL300 or Novastar VX4S (for additional fee)



### CONSTRUCTION

Chassis	Made from steel S355 with certificates 3.1 according to EN10204 norm
Axles and brakes	2x AL-KO
Mast	Hot-dip galvanised and powder-coated telescopic mast with manual mechanical safety interlocks
Mast lifting / lowering	wired controlled hydraulic pump (12V powered)
Rotation	manual
Color	powder-coated black color

### OTHER DETAILS

Wind rating	20 m/s (72 km/h) 15 m/s for TÜV norms
IP rating	IP65 (fully waterproof)
Road approval	EU road approval or US DOT
Cover for transport	tarpaulin (for additional fee)
Warranty	2 years